

Features

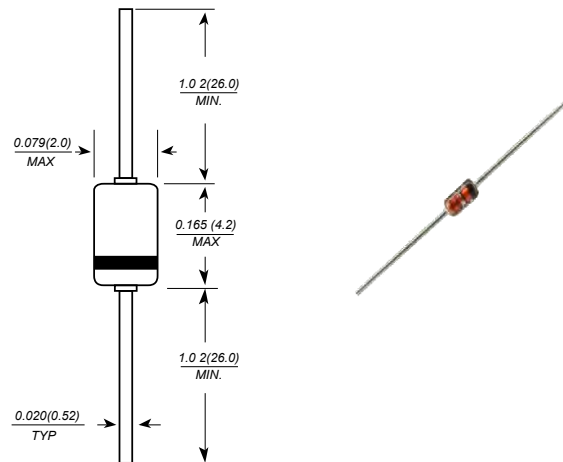
- Low forward voltage
- High breakdown voltage
- Low diode capacitance.

Mechanical Data

- Case: DO-35, glass case
- Polarity: Color band denotes cathode
- Weight: 0.005 ounces, 0.14 grams



DO-35(GLASS)



Dimensions in millimeters

Maximum Ratings $T_A = 25^\circ\text{C}$ unless otherwise specified

| Characteristic | Symbol | Value | Unit |
|---------------------------|-----------|--------------|------------------|
| Reverse Voltage | V_R | 10 | V |
| Average Rectified Current | I_o | 15 | mA |
| Power Dissipation | P_D | 150 | mW |
| Junction Temperature | T_J | 100 | $^\circ\text{C}$ |
| Storage temperature range | T_{stg} | -55 to + 100 | $^\circ\text{C}$ |

Note: (1) Valid provided that leads at a distance of 4mm from case are kept at ambient temperature.

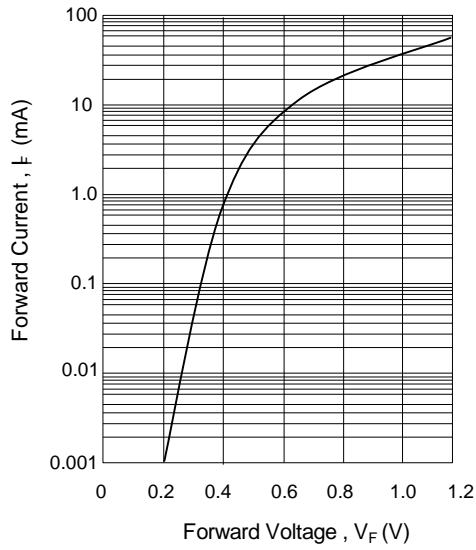
Electrical Characteristics ($T_J = 25^\circ\text{C}$ unless otherwise noted)

| Characteristic | Symbol | Test Condition | Min | Typ | Max | Unit |
|---------------------------|--------|------------------------------------|-----|-----|---------|---------------|
| Reverse Current | I_R | $V_R = 10\text{ V}$ | - | - | 10 | μA |
| | | $V_R = 2\text{ V}$ | - | - | 0.2 | μA |
| Forward Voltage | V_F | $I_F = 1\text{ mA}$ | 365 | - | 430 | mV |
| | | $I_F = 10\text{ mA}$ | 520 | - | 600 | mV |
| Diode Capacitance | C_d | $V_R = 0\text{V}, f = 1\text{MHz}$ | - | - | 1.2 | pF |
| Forward Voltage Deviation | V_F | $I_F = 10\text{ mA}$ | - | - | ± 5 | mV |

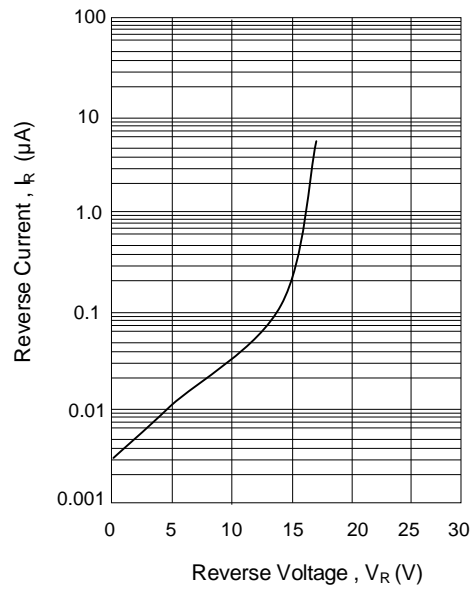


RATING AND CHARACTERISTIC CURVES (1SS166)

Forward Current VS. Forward Voltage



Reverse Current VS. Reverse Voltage



Diode capacitance VS. Reverse Voltage

